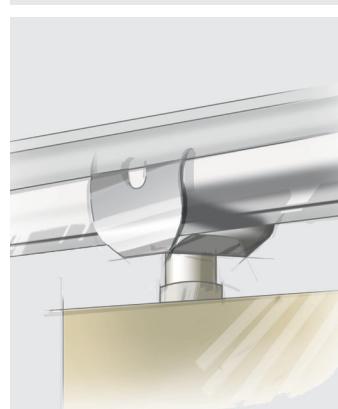
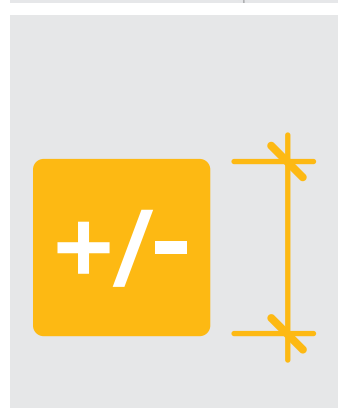
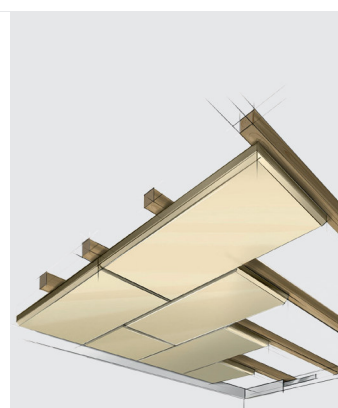
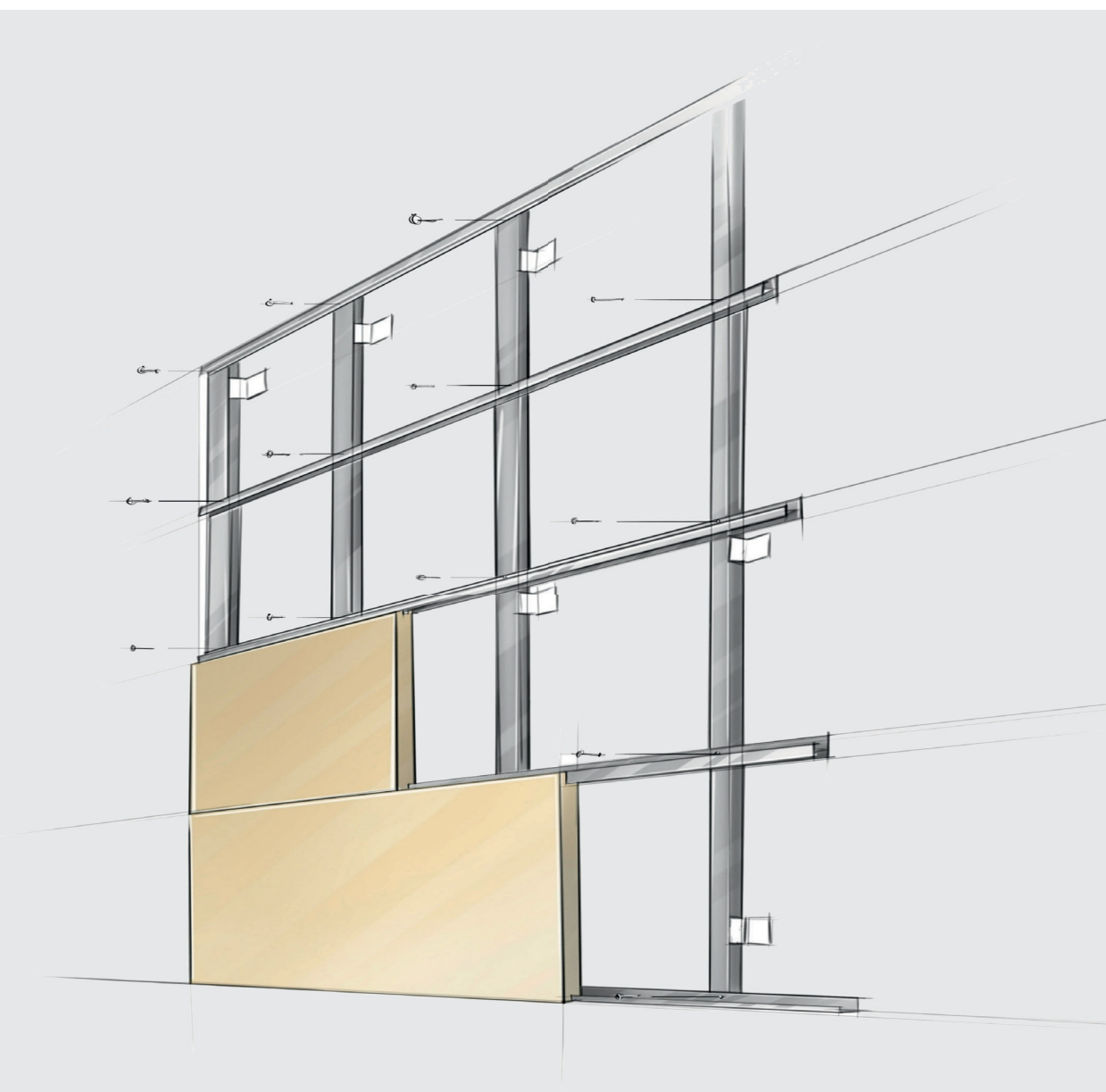




**Heradesign®**

Product data

HERADESIGN® fine plus



# Product data

## HERADESIGN® fine plus

2-layer acoustic panel as composite product consisting of HERADESIGN® fine and mineral wool absorber with trickle protection.

### Colour variants

The natural characteristic structure of the wood wool is ideally suitable as a surface for creative colour schemes. An almost unlimited range of colours is available - almost any colour from popular colour systems such as RAL or NCS, may be selected.

Nominal dimensions [mm]	1200 x 600			
Thickness [mm]	40 <sup>1)</sup>	50 <sup>1)</sup>	55	65
Structure	15/25	25/25	15/40	25/40
Edge design	AK-01 plus		SK-04 plus	
Weight [kg/m <sup>2</sup> ]	10.5	14.7	11.8	16.0
Sound absorption value $\alpha_w$ up to 0.85				
Reaction to fire as per EN 13501-1: <b>B-s1, d0</b>				
Designation code: WW-EN 13168-L4-W2-T2-S2-P2, TR5-CI3				
<sup>1)</sup> General Building Authority Approval: Z-23.15-1562				
Declaration of performance under <a href="http://www.knaufamf-dop.com">www.knaufamf-dop.com</a>				

White similar to RAL 9010	beige Natural tone 13	Pastel colours	Solid colours	Metallic colours	Special colours
●	●	●	●	●	●

### Areas of application

As decorative and acoustically effective sub-ceiling and wall cladding for use in interior rooms and roofed outdoor areas, which are not exposed to direct environmental influences such as rain or pollutants.

### Limitations of use

- Maximum span 600 mm!
- Suitable for rooms with a constant humidity of up to 90%. For applications where there is a constant humidity in excess of 80% construction physics advice is recommended!
- Not suitable for installation with adhesives!

### Installation

Screw mounting on wooden Wooden battens or CD sections 60/27/06 mm: Edge AK-01 plus. Inlay mounting in visible T-24/38 profiles: Edge SK-04 plus.

Installation of HERADESIGN® acoustic panels is part of the interior fitting of the building and must only be carried out under

conditions of controlled humidity and temperature. All building activities which create dust must be completed before the start of installation. Store the panels flat and protect against moisture and dirt. The packaging does not protect the products against rain! Also note the relevant application, installation and storage guidelines for HERADESIGN® acoustic panels.

### Special information

- Deviations in colour from the edge colour and colour perception are possible due to the rough surface of the fibres or the surface of the panel.
- Manufacturing tolerances in nominal dimensions: L4, W2, T2:  $\pm 1$  mm, for lengths  $> 1250$  mm L4:  $\pm 2$  mm
- A foil (thickness  $< 30 \mu\text{m}$ ) is recommended for trickle protection for mineral wool linings.
- Max. changes in dimension in standard climate 23° C/50 % rel. humidity:  $\pm 1$  ‰



This product information corresponds to the present state of development of our products and become invalid on the publication of a new version. Always make sure that you use the latest version of this information. The suitability of the product is not binding for special individual cases. Warranties and liability for deliveries are governed by our General Terms of Business. All data are included without warranty. Version 12/2016 - JB

# Overview of test reports

## Sound absorption values

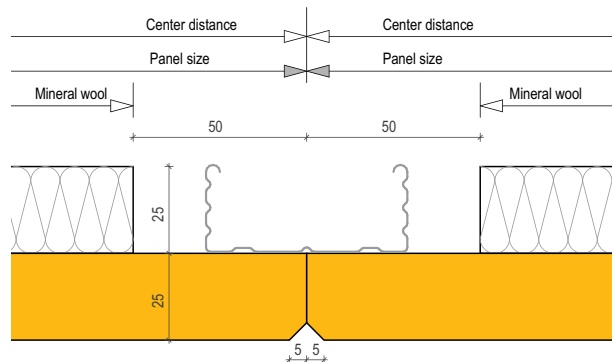
Test specimen					Sound absorption coefficient $\alpha$																										
Panel type	Thick-ness [mm]	TKH <sup>1)</sup> [mm]	HERADESIGN® Acoustic lining		Frequencies [Hz], as												Frequencies [Hz], ap					entire range		Class							
			[mm]	Gross density [kg/m <sup>3</sup> ]	100	125	160	200	250	315	400	500	630	800	1000	1250	1600	2000	2500	3150	4000	5000	125		250	500	1000	2000	4000	NRC	$\alpha_w$
<b>with acoustic lining</b>																															
HERADESIGN® fine plus	15	40	25	90	0,01	0,10	0,15	0,31	0,49	0,74	0,98	1,17	1,13	0,98	0,80	0,71	0,62	0,64	0,63	0,69	0,74	0,86	0,10	0,50	1,00	0,85	0,65	0,75	0,80	0,70 (M)	C
HERADESIGN® fine plus	15	225	25	90	0,42	0,62	0,78	0,83	0,94	0,86	0,92	0,84	0,80	0,76	0,78	0,71	0,66	0,68	0,72	0,80	0,87	0,84	0,60	0,90	0,85	0,75	0,70	0,85	0,80	0,75 (L)	C
HERADESIGN® fine plus	15	225	40	90	0,43	0,62	0,76	0,84	0,90	0,85	0,95	0,88	0,86	0,87	0,77	0,71	0,65	0,66	0,67	0,75	0,88	0,86	0,60	0,85	0,90	0,80	0,65	0,85	0,80	0,75 (L)	C
HERADESIGN® fine plus	25	55	25	90	0,10	0,15	0,23	0,50	0,69	1,01	1,19	1,15	0,97	0,82	0,71	0,69	0,71	0,81	0,87	0,91	0,75	0,81	0,15	0,75	1,00	0,75	0,80	0,80	0,85	0,80	B
HERADESIGN® fine plus	25	200	25	90	0,22	0,49	0,66	0,84	0,97	0,96	0,98	0,94	0,94	0,90	0,92	0,77	0,79	0,82	0,91	1,03	0,91	0,82	0,45	0,90	0,95	0,85	0,85	0,90	0,90	0,90	A
HERADESIGN® fine plus	25	225	25	90	0,37	0,69	0,74	0,86	0,93	0,93	0,98	0,88	0,81	0,84	0,82	0,75	0,74	0,78	0,88	0,93	0,92	0,87	0,60	0,90	0,90	0,80	0,80	0,90	0,85	0,85 (L)	B
HERADESIGN® fine plus	25	225	40	90	0,41	0,71	0,70	0,78	0,85	0,89	0,93	0,89	0,85	0,88	0,80	0,76	0,76	0,82	0,88	0,88	0,85	0,83	0,60	0,85	0,90	0,80	0,80	0,85	0,85	0,85 (L)	B

<sup>1)</sup> TKH: Total construction height: Lower edge of ceiling to lower edge of HERADESIGN® acoustic panel  
 NRC value: Average  $\alpha_s$  over the frequencies (250 + 500 + 1000 + 2000):4, rounded to the next increment 0.05

## Edge design

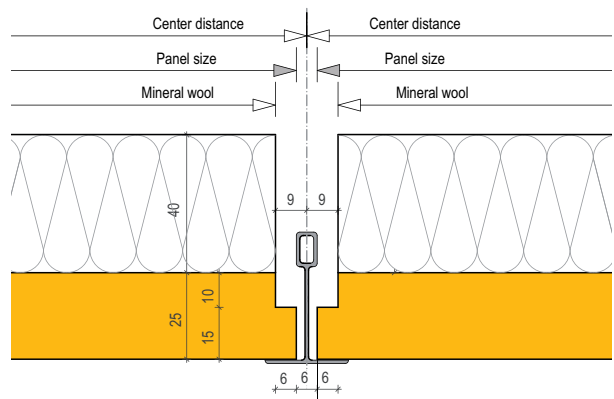
### AK-01 plus

All edges chamfered, 5 mm chamfer, undercut rock wool lining.  
 For screw mounting of HERADESIGN® plus panels.



### SK-04 plus

straight edge for visible T-24/38 profile undercut rock wool lining.





## Service, Support, Logistics – Centre of expertise in Europe and on-site sales networks worldwide



**Knauf AMF GmbH & Co. KG**  
Elsenthal 15, 94481 Grafenau  
Germany

Tel.: +49 8552 422-0

Fax: +49 8552 422-32

[info@knaufamf.de](mailto:info@knaufamf.de)

[www.amfceilings.com](http://www.amfceilings.com)

The acoustic ceiling specialist Knauf AMF, with its global sales and service network, offers on-site, solution orientated and timely advice for architects, specialist contractors, distributors and developers.

**With us, you are always a ceiling solution ahead!**

No responsibility or liability is accepted for the accuracy of the information provided.  
Subject to change without prior notice.

12/2016

**Knauf AMF Deckensysteme GmbH**  
9702 Ferndorf 29  
Austria  
Tel.: +43 4245 2001-0  
[office@heradesign.com](mailto:office@heradesign.com)  
[www.heradesign.com](http://www.heradesign.com)

**Knauf AMF GmbH & Co. KG**  
Metallstraße 1, 41751 Viersen  
Germany  
Tel.: +49 2162 957-0  
[info-de@knaufamf.eu](mailto:info-de@knaufamf.eu)

**Knauf AMF Plafonds et Systèmes**  
9, rue des Livraindières, 28100 Dreux  
France  
Tel.: +33 237 3850-50  
[info@knaufamf.fr](mailto:info@knaufamf.fr)

**Knauf AMF Ceilings Ltd.**  
1 Swan Road, South West Industrial Estate,  
Peterlee, Co. Durham, SR8 2HS  
Great Britain  
Tel.: +44 191 5188600  
[info@knaufamf.co.uk](mailto:info@knaufamf.co.uk)