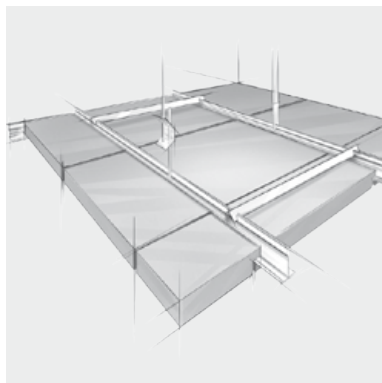
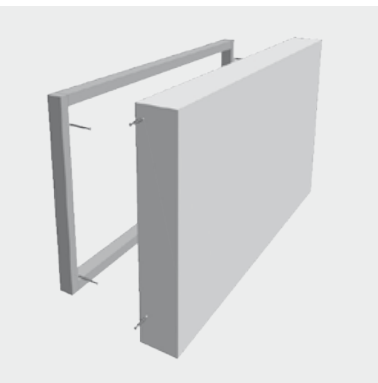
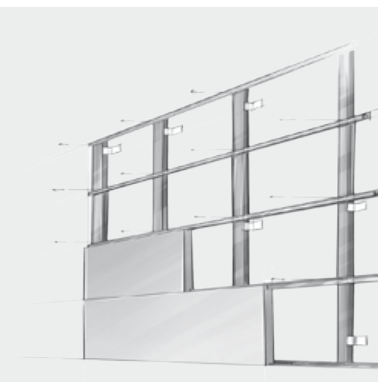
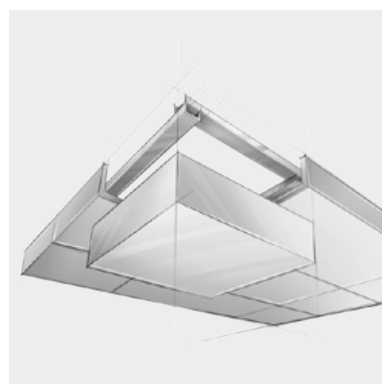
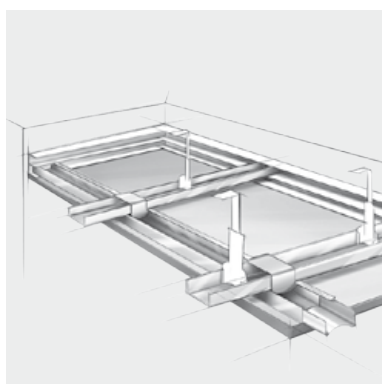
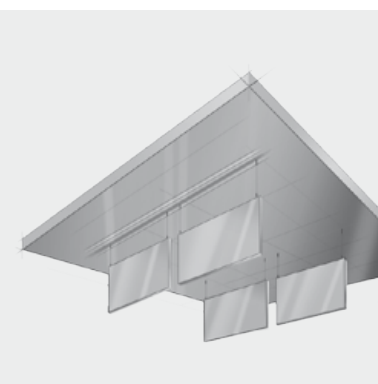




**Heradesign®**

Product data

HERADESIGN® end profile



# Product data

## HERADESIGN® end profile

### Product description

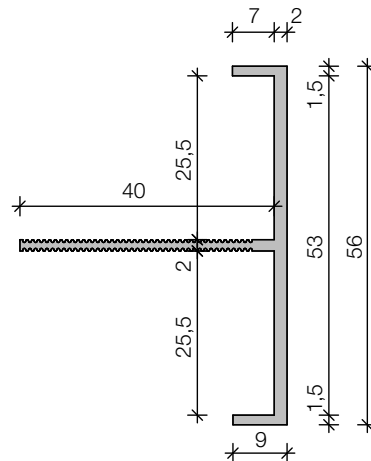
Anodised aluminium profile as side endpiece of Heradesign ceiling rafts.

### Design

Symmetrical profile for Heradesign  
25 mm thick panels

### Technical data

Approximate dimensions 56/42 mm  
Profile length 3000 mm



Length [mm]	for board thickness [mm]	for edge design	Surface	Packaging unit [Stk.]
3000	25	AK-01, GK, AK-02/5	macro, fine, superfine, micro, plano fine A2, superfine A2	as required *)

\*) Packaging units can be created individually according to the quantity ordered.

### Area of use

For suspended ceiling constructions and wall mounting without fire protection.

### Storage

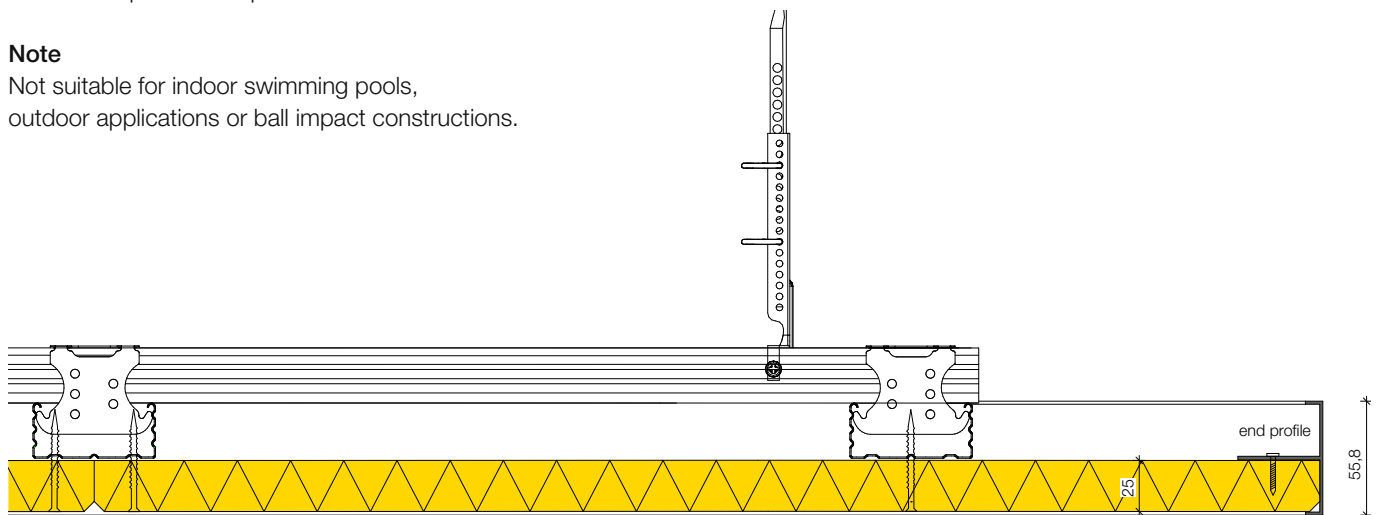
The goods must be stored in a dry place, protected from sunlight. The goods should also be used within one year of delivery from our company.

### Order information

Amount on pallet as required.

### Note

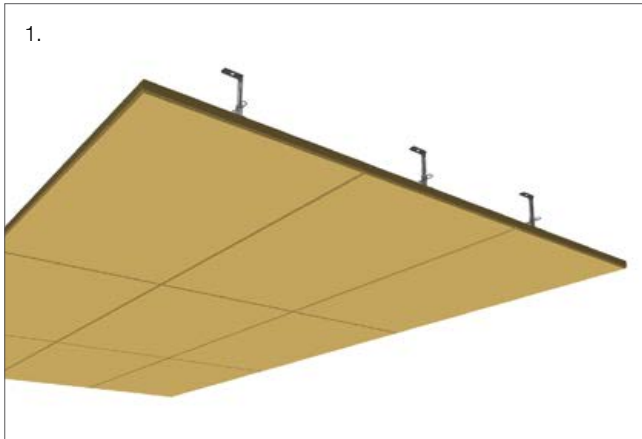
Not suitable for indoor swimming pools, outdoor applications or ball impact constructions.



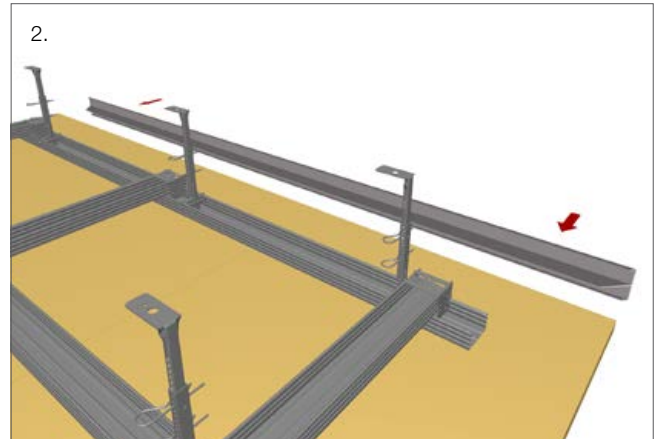
This product information corresponds to the present state of development of our products and become invalid on the publication of a new version. Always make sure that you use the latest version of this information. The suitability of the product is not binding for special individual cases. Warranties and liability for deliveries are governed by our General Terms of Business. Only defect-free products may be installed. No liability will be accepted for the assembly of defective products or for the resulting costs (delay in delivery, remediation of defects). All data are included without warranty. Version 01/2021 - JB

# Installation

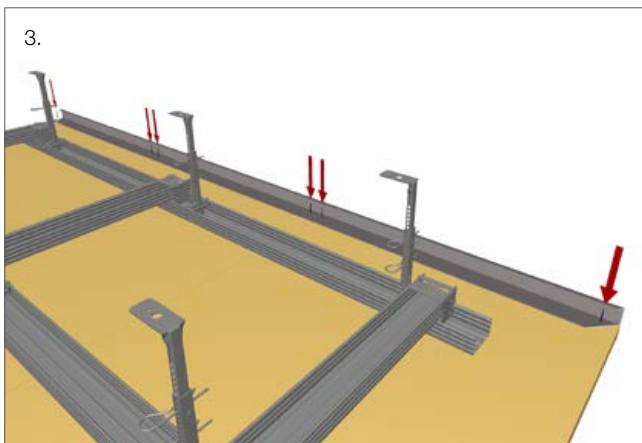
The following installation instructions refer to HERADESIGN end profile on the ceiling on a substructure made of CD profiles. These instructions can also be used for wooden panels or wall installation.



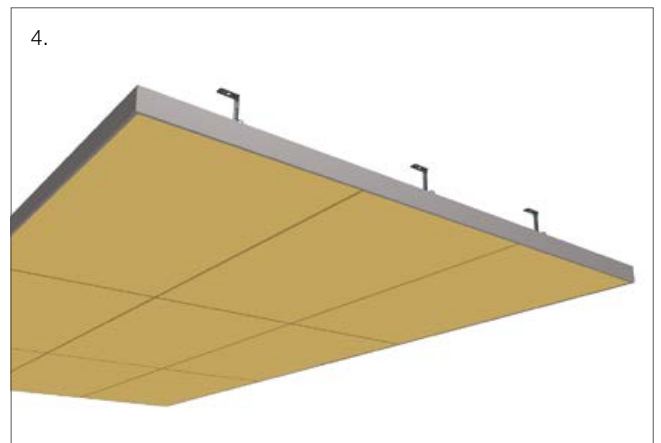
The ceiling raft is manufactured with the corresponding substructure. The cantilever of Heradesign panels is a maximum of 150 mm around the periphery.



The end profile is pushed onto the side of the cantilevered panels. The profile must be cut to size and mitred on-site.



The end profile is attached to the panels using self-tapping screws on the rear of the panel. Screws must be no longer than 22mm. The spacing between the screws must not exceed 600 mm. If the suspension height is too low, the profile can also be attached from the front using self-tapping screws. In such cases, the screws must be painted over.



When using ceiling rafts with sides longer than 3 m, the individual end profiles must be pushed together. A fastening screw must be used next to each profile joint.

